



SECURE SUB COVERS RANGE

APPLICATION: The covers are designed to sit below the surface mounted cover and frame or top covers for buried chambers. Frames are bolted to the STAKKAbox™, the bolts being inaccessible once the security plate is in place. When installed they prevent access by un-authorized persons in addition to providing protection to plant in the chamber should the surface covers be dropped. Locking of the covers is via a padlock that is covered by its own protection shroud once fitted.



FRAME WITH PLATE COVERS



BOLT LUG



PADLOCK SHROUD

Due to the nature of the STAKKAbox™ system it is possible to obtain a great many size variations this is also true for security sub covers. The table below lists the 16 sizes that are the most popular for security cover use. If the size required does not appear below it can still be produced, please contact us with the dimensions.

TO FIT CHAMBER*		CHAMBER TYPE	CODE
LENGTH	WIDTH		
600mm	450mm	MODULA	A728
600mm	600mm	MODULA	
610mm	610mm	ULTIMA	
750mm	600mm	MODULA	
900mm	450mm	MODULA	
900mm	600mm	MODULA	
915mm	445mm	ULTIMA	
900mm	900mm	MODULA	
1050mm	450mm	MODULA	A729
1160mm	380mm	ULTIMA	
1200mm	600mm	MODULA	
1220mm	680mm	ULTIMA	
1300mm	850mm	ULTIMA	A730
1310mm	610mm	ULTIMA	
1380mm	530mm	ULTIMA	
1500mm	750mm	ULTIMA	

*This is the inside clear opening of the chamber; please note that the frame of the security unit reduces the clear opening by 80mm on both length and width as the frame has a 40mm seating lip which runs all around the inner circumference





1.0 STANDARD DESCRIPTION

Security Sub Cover; Galvanised Steel, Bolt on frame & Drop in cover plate(s)

To fit clear opening (*length*) mm x (*width*) mm

Bolt on frame: 4mm mild steel hot dip galvanised

Cover Plate(s): 3mm mild steel hot dip galvanised

Available upon request for each size

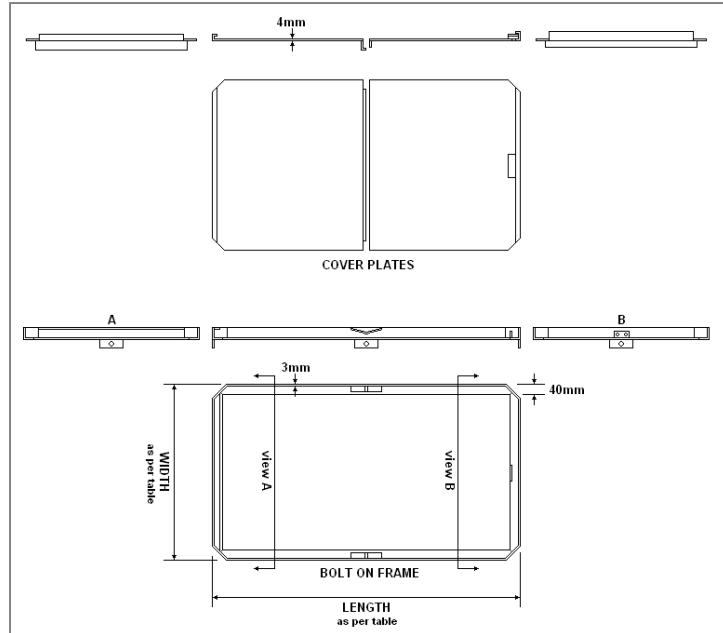
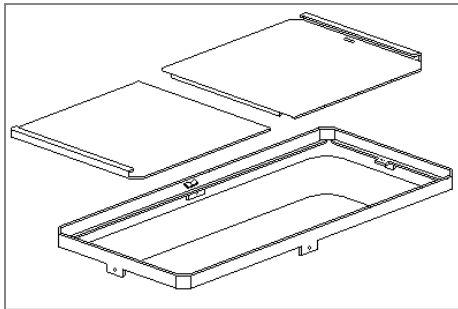
(All parts are below 20 KGS)

Refer to the following drawings:

2.0 MATERIAL

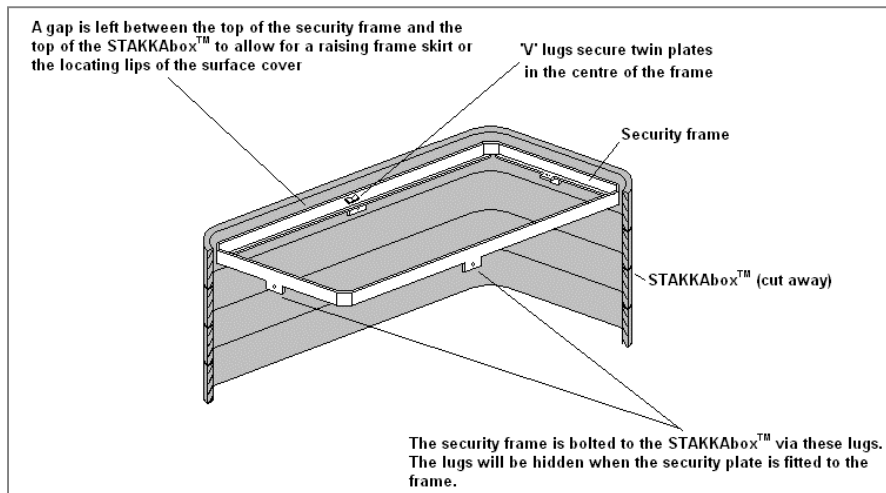
3.0 UNIT WEIGHT

4.0 DIMENSIONS



5.0 INSTALLATION

Frames are fitted as follows:



6.0 RELATED PRODUCTS

6.1 PADLOCKS

Associated products for use with Security sub-covers

Available directly from www.squirelocks.co.uk to suit all of your levels of required security

6.2 BADGING

15cm x 20cm High Visibility sticker printed with company logo &/or warning text

6.3 SCREW FITTINGS

Coach Screws to retrofit security frames CODE A861

