

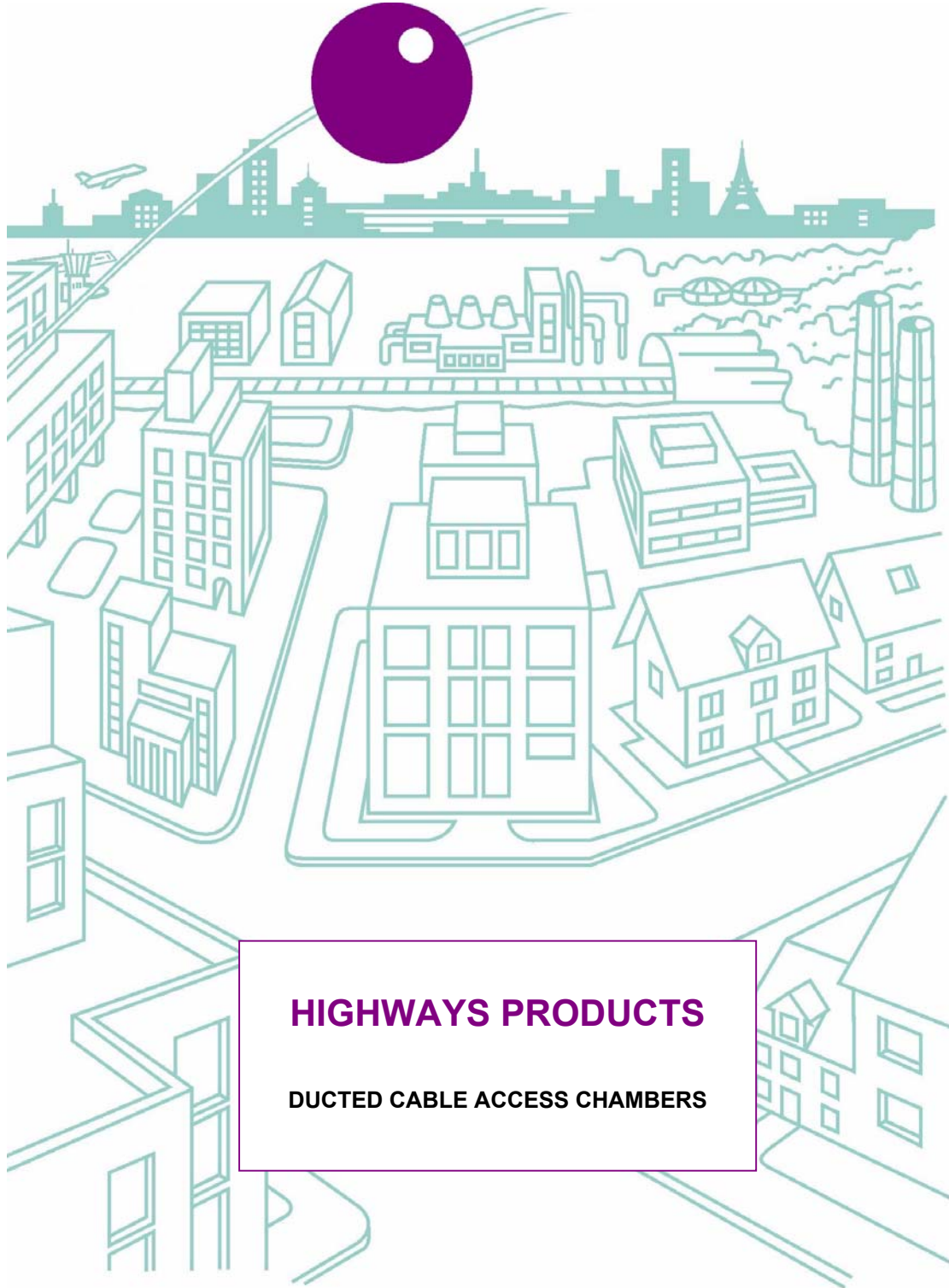


ACCESS  
CHAMBERS

DUCT

ENCLOSURES

NETWORK  
PROTECTION



## HIGHWAYS PRODUCTS

DUCTED CABLE ACCESS CHAMBERS

## STAKKAbox for Motorway Communications



**APPLICATION:** The product is designed for use in both foot way & roadway installations. It is used and approved by the Highways Agency in their Motorway Communication infrastructure. Where it provides access to underground ducting and houses cable-jointing equipment.

### CHAMBER SUMMARY

TYPE	LENGTH	WIDTH	STANDARD DEPTH*	ADDITIONAL DEPTH INCREMENTS	PRODUCT CODE
A	1500mm	750mm	900mm	150mm	1002150
B	600mm	600mm	900mm	155mm	1001021
C	600mm	450mm	900mm	150mm	1002050
T	300mm	300mm	475mm	155mm	1001006

\* Inside working depth of chamber only, please also add the depth of the surface frame and cover in order to compare with minimum depths specified in MCX Drawings.

### 1.0 DETAIL

Highways Chambers are made from a number of individual items. Please refer to the Data Sheet listed for specific details on each of these.

### 2.0 REFERENCE STANDARDS

EN124 B125 & D400 Vertical Loading requirements  
BS5834.Part4.1993 Side Wall loading for small chambers

### 3.0 REFERENCE DOCUMENTS

#### 3.1 WEIGHTS & PACKING

Please refer to each product data sheet (as listed)

#### 3.2 DIMENSION DETAIL

Please refer to each Type drawing that follows

#### 3.3 INSTALLATION METHOD

Please refer to Field Installation Guide 002



ACCESS  
CHAMBERS

DUCT

ENCLOSURES

NETWORK  
PROTECTION

## A CHAMBER

ITEM CODE : 1002452

ITEM	DETAILS	No	DATA SHEET
FRAME & COVER	EN124 D400 DUCTILE IRON HINGED & LOCKING COVERS BADGED 'MOTORWAY COMMUNICATIONS'	ONE	
CHAMBER	STAKKAbOX ULTIMA 1500mm LONG x 750mm WIDE x 900mm DEEP	ONE	36
BASE	STAKKAbOX HIGHWAYS ANTI SLIP BASE WITH SUMP 150mm DEEP x 225mm WIDE	ONE	37
CABLE MANAGEMENT	CABLE BEARER WALL TYPE 530mm LONG & BEARER ARM 263mm LONG	TWO	
ACCESS	STEP IRONS	TWO	
DUCT ENTRY	PRE MADE TO MCX DRAWING DETAIL		

## B CHAMBER

ITEM CODE : 1002314

ITEM	DETAILS	No	DATA SHEET
FRAME & COVER	EN124 D400 DUCTILE IRON HINGED & LOCKING COVERS BADGED 'MOTORWAY COMMUNICATIONS'	ONE	
CHAMBER	STAKKAbOX MODULA 600mm LONG x 600mm WIDE x 900mm DEEP	ONE	13
BASE	STAKKAbOX HIGHWAYS BASE WITH SUMP 150mm DEEP x 225mm WIDE	ONE	14
DUCT ENTRY	PRE MADE TO MCX DRAWING DETAIL		

## C CHAMBER

ITEM CODE : 1002304

ITEM	DETAILS	No	DATA SHEET
FRAME & COVER	EN124 D400 DUCTILE IRON HINGED & LOCKING COVERS BADGED 'MOTORWAY COMMUNICATIONS'	ONE	
CHAMBER	STAKKAbOX MODULA 600mm LONG x 450mm WIDE x 900mm DEEP	ONE	27
BASE	STAKKAbOX BASE	ONE	
DUCT ENTRY	PRE MADE TO MCX DRAWING DETAIL		

## T CHAMBER

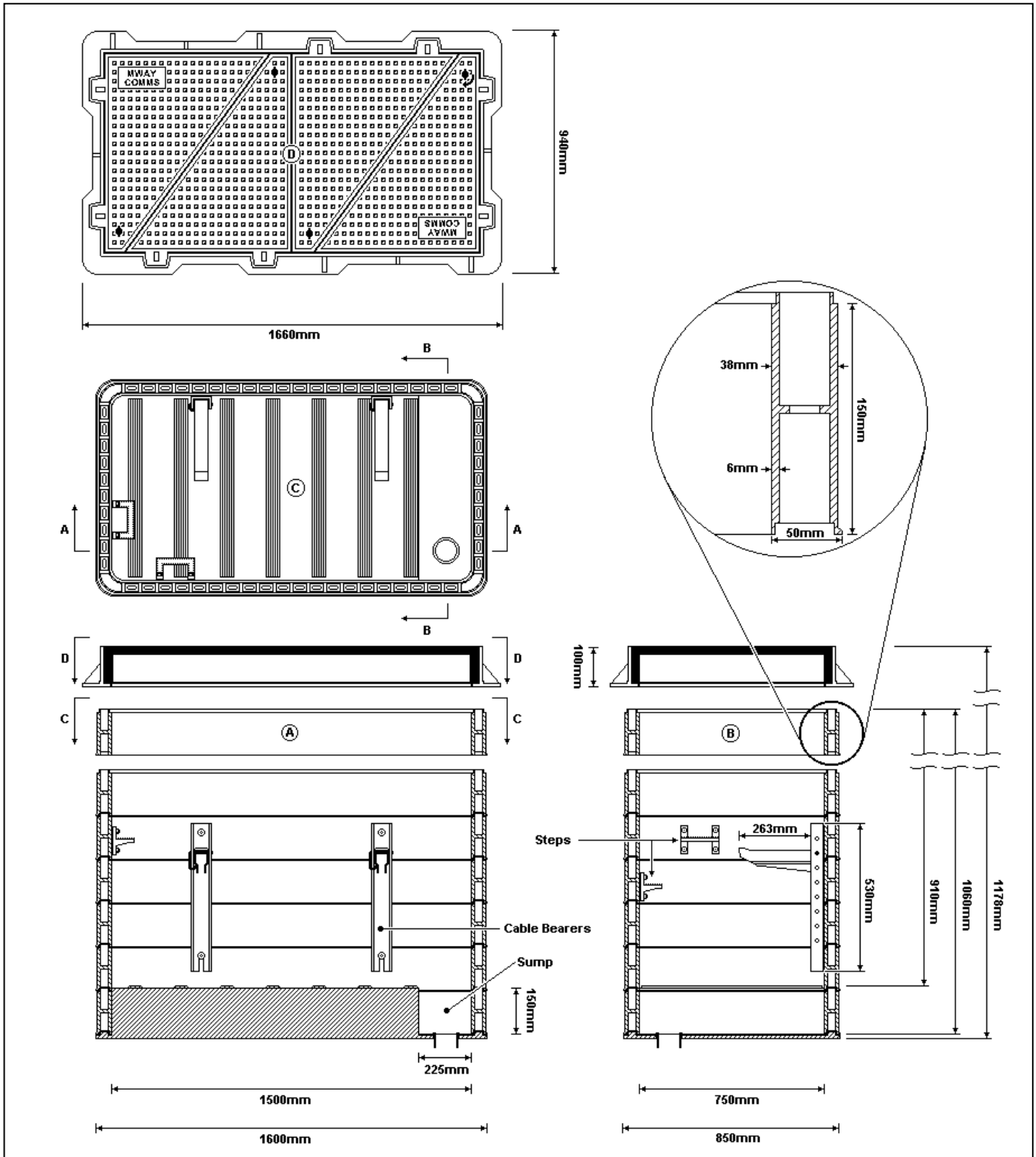
ITEM CODE : 1002200

ITEM	DETAILS	No	DATA SHEET
FRAME & COVER	EN124 D400 DUCTILE IRON LOCKING COVERS BADGED 'MOTORWAY COMMUNICATIONS'	ONE	
CHAMBER	STAKKAbOX MODULA 300mm LONG x 300mm WIDE x 475mm DEEP	ONE	9
BASE	STAKKAbOX BASE	ONE	
DUCT ENTRY	PRE MADE TO MCX DRAWING DETAIL		

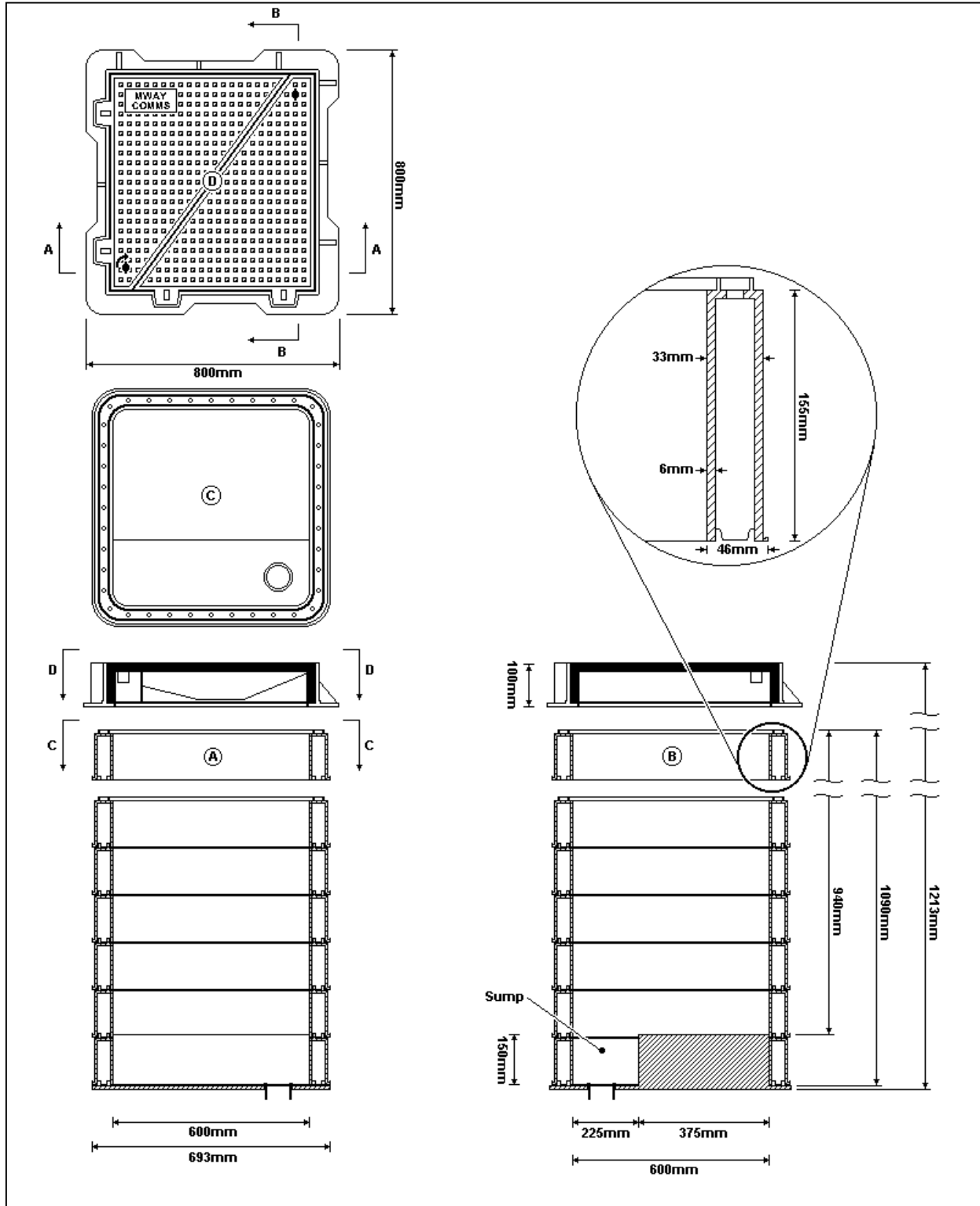
FRAME & COVER NOTE: A Class B125 Loading, Concrete Cover is also available for each of the above chamber types.

CABLE MANAGEMENT & ACCESS NOTE: These items can be factory fitted by C4 or fitted on site.

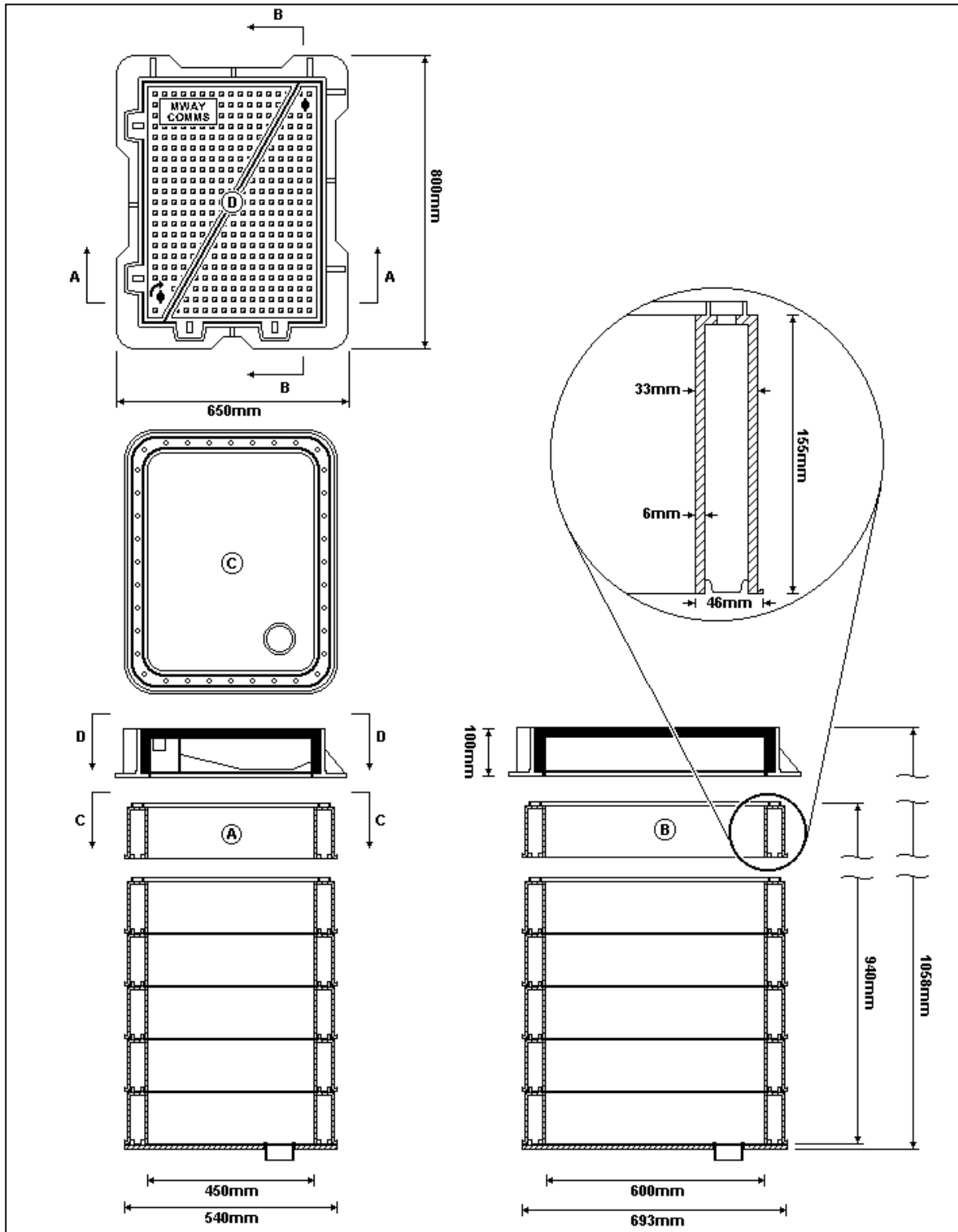
DUCT ENTRY NOTE: Duct entries can also be made on site, please refer to the Field Installation Guide for Motorway Communications Chambers.



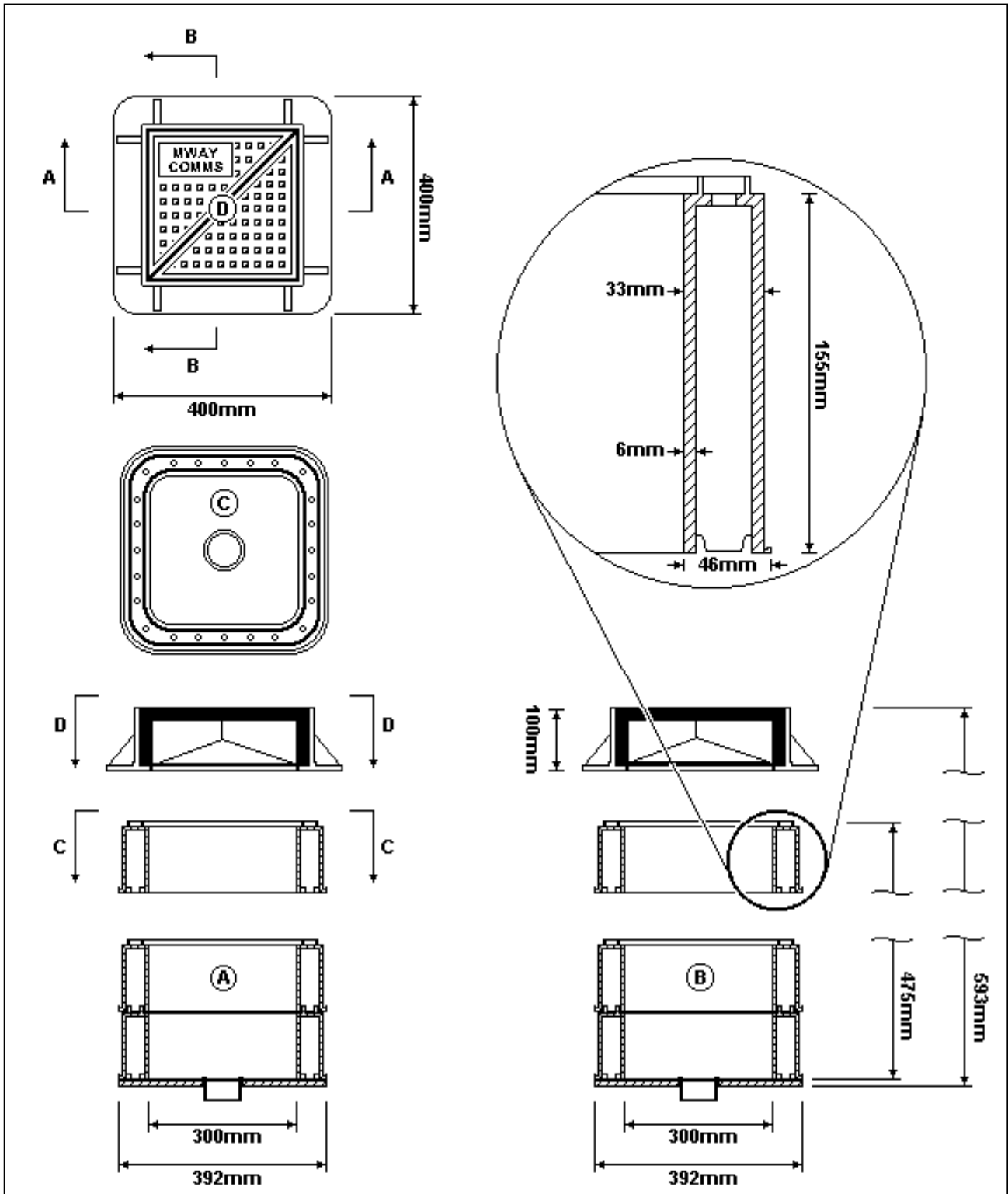
**STAKKAbOX ULTIMA 1500mm X 750mm :  
MOTORWAY COMMUNICATIONS A CHAMBER**



**STAKKAbOX MODULA 600mm X 600mm :  
MOTORWAY COMMUNICATIONS B CHAMBER**



**STAKKAbOX 600mm X 450mm :  
MOTORWAY COMMUNICATIONS C CHAMBER**



**STAKKabox MODULA 300mm X 300mm :  
MOTORWAY COMMUNICATIONS T CHAMBER**